

## INSTRUCTIONS

# Incubator

Mod. 112551/112561



Thank you for purchasing this product. To ensure a long life time and the best performance of this machine please read the following instructions carefully. In case you have any questions, please contact us.

### Technical Data

Machinetype:	Incubator queenbreeding
Sizes:	small: 70 queens large: 133 queens
Dimensions (inside):	small: 24.5 x 22 x 39.5 cm large: 24.5 x 22 x 71.5 cm
Power supply:	90-250 V / 0,8-2 A
Max. consumption:	85 W
Weight:	small: 15 kg / 0.18 m3 large: 20 kg / 0.25 m3
Backup:	12/24Vdc car battery
Itemnumbers:	small: 112551 large: 112561
Tarif Code:	8436 9900
Packaging:	1 pc.



**swienty**

*for better honey*

---

## Read before use

This instruction manual is the original Swienty A/S instruction manual for Swienty Incubator (112551/112561). The purpose of this instruction manual is to ensure correct handling, use and maintenance of the incubator. The instruction manual is to be placed in a place where it is easily accessible to the users of the device and the people entrusted to carry out maintenance work.

It is solely the responsibility of owner of the incubator to ensure that every person handling or servicing the device has read the instruction manual. Furthermore it is the responsibility of the people handling and servicing the device to read the instruction manual.

Before the device is taken into use it is important to ensure that the device is placed on a stable surface. The device should be placed in a room with good lightning.

This ensures safe and proper handling of the device. The cord of the device (230V) is to be placed so it minimizes the chance for people stumbling over the cord during operation, cleaning and maintenance work etc. The device is never to be left unattended during use.

The product is governed by directive 2002/96/EF about trash of electronic and electronic equipment(weee). The product must not be discarded with unsorted household. Instead use the locale weee pickup point for discard of this product and make sure all relevant locale provisions are complied.

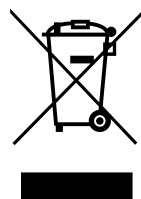
The device contains hot surfaces, please be aware of burning risks.

- The device is made for bee-queen hatching, please do not use it for other purposes or with easy flammable things.
- The device contains hot surfaces which may cause burns in case of touch.

This device complies with the following directives:



EMC 2004/108/EC  
LVD 2006/95/EC



WEEE 2002/96/EF  
RoHS 2011/65/EC



**swienty**

*for better honey*

---

## Operating instructions

### Menu



Actual temperatur



[P]: Hold 3 sec for menu or confirm choice.



[U]: Is not used for normal adjustment.



[UP]: shift up or hold 2 sec for going back.



[Down]: Shift down or hold 2 sec for going back.

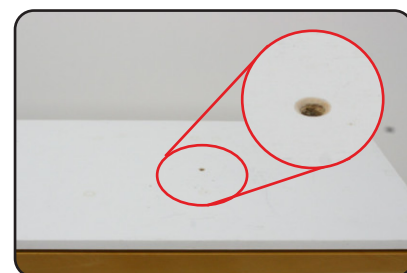


[Lys]: Turn on/off light in the box.

## Calibration

In order to control the temperature, a thermometer can be put into a hole on the top side of the incubator. If a difference between the measured and the build in thermometer appears the system must be calibrated.

Before you configure the displayed temperature, be sure that there is a mistake within the existing adjustment and that your thermometer measures correct! Normally, the temperature is already configured.



Press the button [P] for about 3 sec. and press the button [Up]/[Down] until you see "ConF" in the display. Press [P] to confirm. The display shows now "0" and you need to go up to "381" with the [Up]/[Down] button to lock up the thermostat (this is a kind of password).

Press now the key [P] again. The display shows "SP". Press now the key [Up]/[Down] until you see "InP" on the display. Confirm your choice with [P]. Find the menu "offset" and press [P] Now you can change the difference between the displayed temperature and the temperature in the incubator with [Up]/[Down]. The displayed temperature must always be adjusted to the real temperature in the box.

When the display e.g. shows 35oC but the temperature in the incubator is 37,5oC, the difference is +2,5.

To conclude the programming you press [P] button. Then you wait for 20 seconds to exit the programming mode.

If you do not activate the buttons within 10 second the display leave the configuration mode.



**swienty**

*for better honey*

---

## Temperature adjustment

For adjustment press [P]. Go up and down in temperatur by [Up] /[Down]. Press [P] to confirm.

## Use

Connect the incubator to a power outlet and make sure that electricity will not be disconnected during the entire operation. The incubator is operational when the numbers in the thermostat shine red.

The right temperature( 35° C for bee-queens) is set on the digital thermostat.

The incubator box should be switched on a few hours before the queen breeding so that the desired temperatur can be stabilized.

The air humidity with bee queens should amount to approximately 60%. In order to reach this, one or two bowls with water, depending upon th size of the bowls, should be placed on the upper aluminum plate. The bowl should approxi- mately have a diameter of 10cm.

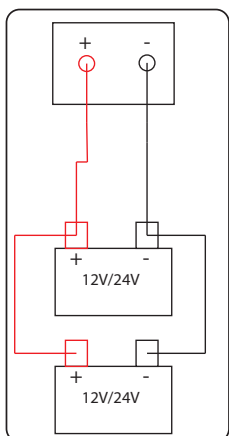
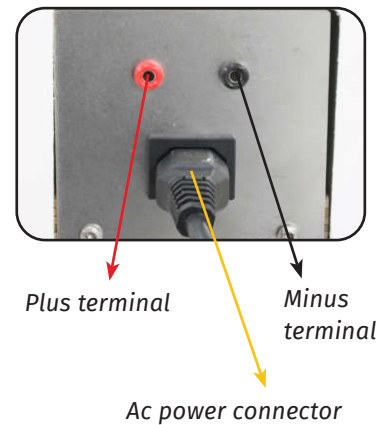
## Connection

Operation of this equipment is designed so that it has the ability to run on batteries in case of power outage.In case of such circumstance this equipment can now be connected to one or more „car“ batteries which assures operation and zero loss of queens until AC power can be reconnected. **Do not use voltages other than the specified 12vDC, 24vDc and 110-240v AC!**

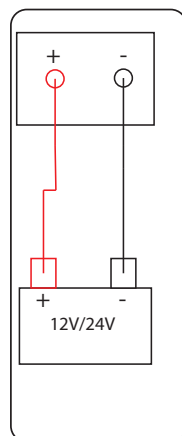
On the next page an illustration is showing 3 different wiring methods. We recommend you to run in 24v Battery mode, with this voltage the box is able to maintain and heat the box. 12V may in some cases not be sufficient to heat the box but only maintain a constant temperatur.

Parallel connection: By linking two batteries this way you can increase the time before batteries need a recharging.

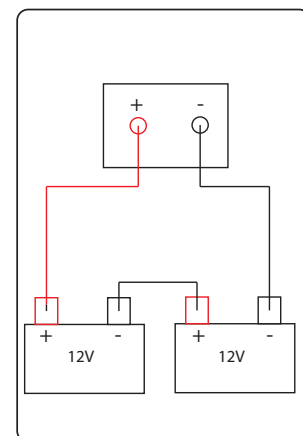
Serial connection: If you have two 12v batteries it is possible to get 24v and thus increase the effect that can be used for heating. Direct connection: If you only have a single batte- ry connect it like that.



*Parallel connection: Two batter- ies with same voltage is connect- ed with plus to plus and minus to minus.*



*Seriell connection: Two batter- ies is connected with minus to plus.*



*Direct connection: A 12/24v battery is connected directly to the terminals on the device.*



**swienty**

*for better honey*

---

## Cleaning



*Disconnect the power-plug. Let the device cool to avoid burning the heat element.*



*The heating element is mounted on a loose plate which can be removed.*



*The plate can be placed on the door for instance. The box is wiped with a wet cloth.*



**swienty**  
*for better honey*